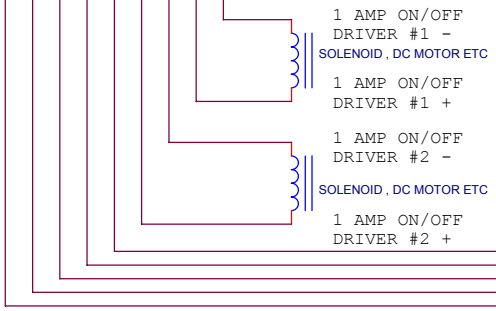
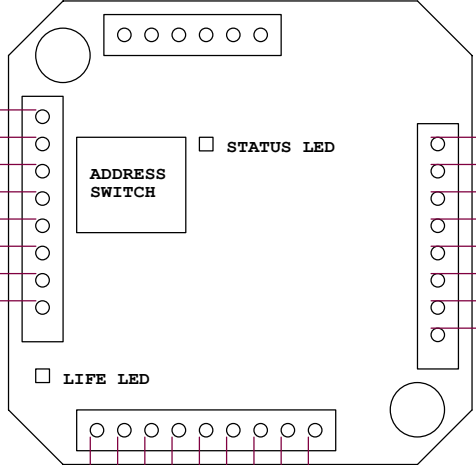


TO PC COM PORT OR USB
 USE 9600 BAUD
 8BIT, NO PARITY,
 1 STOP, NO FLOW
 CTRL.

TO OTHER EZ SERVOS
 OR EZ STEPPERS

**DO NOT UNPLUG LOADS WHILE
 POWER IS ON. BREAKING OF
 CURRENT IN THE INDUCTANCE OF
 THE MOTOR GENERATES A HIGH
 VOLTAGE ARC, WHICH DAMAGES
 THE DRIVE.**

- OPTO SENSOR #1 GROUND
- OPTO SENSOR #1 PHOTO TRANSISTOR
- OPTO SENSOR #1 LED
- OPTO SENSOR #2 GROUND
- OPTO SENSOR #2 PHOTO TRANSISTOR
- OPTO SENSOR #2 LED
- SWITCH #1 CLOSURE TO GROUND INPUT
- SWITCH #2 CLOSURE TO GROUND INPUT



- HALL A
- HALL B
- HALL C
- 5V HALL SENSOR POWER
- HALL SENSOR GROUND
- PHASE A POWER DRIVER
- PHASE B POWER DRIVER
- PHASE C POWER DRIVER

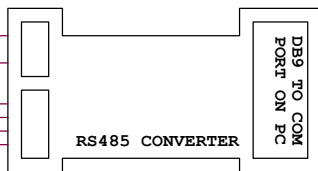
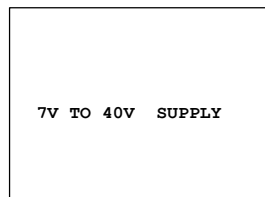
**EZ SERVO EZSV17WV
 WIRING DIAGRAM FOR
 BLDC MOTOR**

- 1) IF MOTOR EXHIBITS POSITIVE FEEDBACK, SWITCH ENCODER A,B WIRES
- 2) KEEP ENCODER / INPUTS AWAY FROM NOISEY MOTOR POWER WIRES.

SEE PAGE 2 FOR BRUSH MOTOR WIRING
**SEE PAGE 3 FOR MANUFACTURER
 SPECIFIC BLDC MOTOR WIRING
 EXAMPLES**

NOTE: ENCODER SIGNALS MUST BE >4.5V HIGH LEVEL.
 THIS MAY REQUIRE EXTERNAL PULLUPS.

Title		ALLMOTION.COM	EZSV17WV WIRING DIAGRAM
Size	B	Document Number	Rev A11
Date:	Sunday, May 29, 2016	Sheet	1 of 5



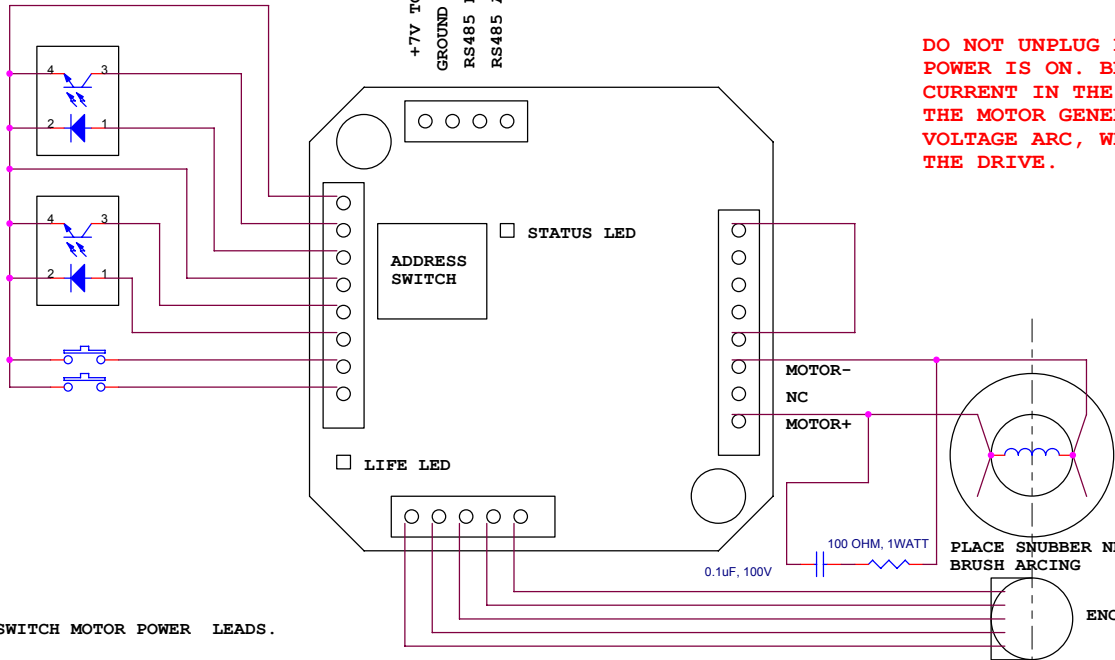
TO PC COM PORT OR USB

USE 9600 BAUD
8BIT, NO PARITY,
1 STOP, NO FLOW
CTRL.

TO OTHER EZ SERVOS
OR EZ STEPPERS

**DO NOT UNPLUG LOADS WHILE
POWER IS ON. BREAKING OF
CURRENT IN THE INDUCTANCE OF
THE MOTOR GENERATES A HIGH
VOLTAGE ARC, WHICH DAMAGES
THE DRIVE.**

- OPTO SENSOR #1 GROUND
- OPTO SENSOR #1 PHOTO TRANSISTOR
- OPTO SENSOR #1 LED
- OPTO SENSOR #2 GROUND
- OPTO SENSOR #2 PHOTO TRANSISTOR
- OPTO SENSOR #2 LED
- SWITCH #1 CLOSURE TO GROUND INPUT
- SWITCH #2 CLOSURE TO GROUND INPUT



- HALL A
- HALL B
- HALL C
- HALL SENSOR POWER
- HALL SENSOR GROUND
- PHASE A POWER DRIVER
- PHASE B POWER DRIVER
- PHASE C POWER DRIVER

DC
BRUSH
MOTOR

PLACE SNUBBER NETWORK NEAR MOTOR TO HANDLE ANY
BRUSH ARCING

**EZ SERVO EZSV17WV WIRING
DIAGRAM FOR BRUSH MOTOR**

- NOTES:
- 1) IF MOTOR EXHIBITS POSITIVE FEEDBACK, SWITCH MOTOR POWER LEADS.
OR SWITCH ENCODER A,B WIRES
 - 2) KEEP ENCODER / INPUTS AWAY FROM NOISEY MOTOR POWER WIRES.

SEE PAGE 1 FOR BRUSHLESS MOTOR WIRING
**SEE PAGE 3 FOR MANUFACTURER SPECIFIC
BLDC MOTOR WIRING EXAMPLES**

- GROUND
- INDEX
- CHAN A
- +5V
- CHAN B

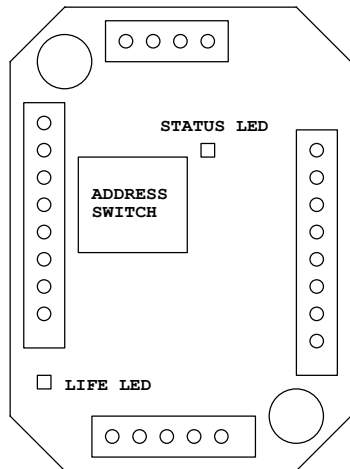
NOTE: ENCODER SIGNALS MUST BE >4.5V HIGH LEVEL.
THIS MAY REQUIRE EXTERNAL PULLUPS.

COPYRIGHT ALLMOTION.COM

Title		ALLMOTION.COM EZSV17WV WIRING DIAGRAM	
Size	Document Number	Rev	
B		A11	
Date:	Sunday, May 29, 2016	Sheet	2 of 5

POWER INPUT AND COMMUNICATION

+20V TO +40V POWER SUPPLY
GROUND
RS485 B
RS485 A



GROUND
INDEX
CHAN A
+5V
CHAN B

ENCODER CONNECTION

NOTE: ENCODER SIGNALS MUST BE >4.5V HIGH LEVEL.
THIS MAY REQUIRE EXTERNAL PULLUPS.

SIZE: 1.6" X 1.6" x 0.6" THICK

POPULAR MANUFACTURER WIRE COLORS

	PITTMAN	MAXON	EAD OPTICAL HALL	EAD MAGNETIC HALL	FAULHARBER	ANAHEIM AUTOMATION	HARMONIC DRIVES RSF8B	PORTESCAP NUVODISC 32BF	MAXON EC-max
HALL A	WHITE	BLUE	BROWN	YELLOW	GREEN	WHITE	YELLOW	SENSOR1	GREY
HALL B	GREY	GREY	WHITE	GREEN	BLUE	BLUE	BROWN	SENSOR3	BROWN
HALL C	BLUE	VIOLET	GREEN	GREY	GREY	GREEN	RED	SENSOR2	YELLOW
+15V HALL SENSOR POWER	PURPLE	YELLOW	NC	ORANGE	RED	RED	WHITE (PINK)	VDD	GREEN
HALL SENSOR GROUND	BLACK	GREEN	NC	BLACK	BLACK	BLACK	BLACK	GROUND	BLUE
PHASE A POWER DRIVER	BROWN	ORANGE	BROWN	BROWN	BROWN	BLACK (M)	BLACK (M)	PHASE 3	BLACK
PHASE B POWER DRIVER	RED	RED	WHITE	WHITE	ORANGE	YELLOW (M)	RED (M)	PHASE 2	RED
PHASE C POWER DRIVER	ORANGE	BROWN	BLUE	BLUE	YELLOW	RED (M)	WHITE (M)	PHASE 1	WHITE

FROM OPTICAL ENCODER + HALL

GROUND BLACK
INDEX ORANGE
CHAN A YELLOW
+5V RED
CHAN B BLUE

DO NOT CONNECT ORANGE BLUE GREEN

EZ SERVO WIRING DIAGRAM

PLEASE NOTE: FOR OTHER MOTORS, ALLMOTION WILL BE PLEASED TO WORK OUT THE WIRING FOR NO CHARGE.

COPYRIGHT ALLMOTION.COM

Title ALLMOTION.COM EZSV17WV WIRING DIAGRAM		
Size B	Document Number	Rev A11
Date: Sunday, May 29, 2016	Sheet 3	of 5

EZSV17WV ACESSORIES AND OTHER ELECTRICAL NOTES

MATING CONNECTORS:

AMP MTA 100 SERIES

- 4PIN 22 GA DIGIKEY P/N A31108 (INPUT CONNECTOR)
- 8PIN 22 GA DIGIKEY P/N A31111 (NEMA23 MOTOR)
- 8PIN 24 GA DIGIKEY P/N A31023 (NEMA17 MOTOR)
- 8PIN 26 GA DIGIKEY P/N A31030 (FOR OPTOS)
- 5PIN 26 GA DIGIKEY P/N A31027 (FOR ENCODER)

- T HANDLE CRIMP TOOL DIGIKEY P/N A9982
- GUN STYLE TOOL A2031 + A1998

MOTORS:

- 1) THE EZ SERVO WILL DRIVE MOST SERVO MOTORS
- 2) FOR BEST PERFORMANCE SELECT A MOTOR THAT HAS A BACK EMF OF ABOUT 1/2 OF THE SUPPLY VOLTAGE, AT THE MAX SPEED DESIRED TO RUN AT. (Eg USE A 12V MOTOR WITH A 24V SUPPLY).
- 3) TYPICALLY A MOTOR THAT HAS AN INDUCTANCE OF AROUND 1mH AND A RESISTANCE OF AROUND 1 OHM WORKS WELL. BUT OTHER VALUES ARE ALSO OK. (0.1mH MINIMUM)

ENCODERLESS OPERATION:

- 1) THE EZSERVO CAN PERFORM VELOCITY MODE CONTROL OF A MOTOR THAT DOES NOT HAVE AN ENCODER BY USING THE HALL SENSORS AS A GAGE OF SPEED. (N=0 MODE)
- 2) IT IS POSSIBLE TO USE THE N=1 POSITION CONTROL MODE BY WIRING TWO OF THE HALL SENSOR LINES TO THE ENCODER A AND B INPUTS IN ADDITION. THIS ALLOWS A CRUDE POSITION CONTROL MODE. IN THIS MODE THE VELOCITY CONTROL IS SUPERIOR TO THE N=0 MODE. USE SMALL ACCELERATIONS AND VELOCITIES IN THIS MODE. Eg TRY /1L1V10000P0R

OPTO HOME SWITCH:

- 1) "Z" OR HOME COMMAND RUNS MOTOR UNTIL OPTO #1 IS ON FLAG EDGE.
- 2) AN OPTO SWITCH PROVIDED WITH EACH STARTER KIT
- 3) USE TRANSISTOR OPTO THAT HAS $I_c > 1mA$ @ $I_F = 20mA$.
- 4) EXAMPLES OF ACCEPTABLE OPTOS ARE:
 - DIGIKEY P/N QVA11134
 - DIGIKEY P/N H21A1
 - HONEYWELL HOA1887-012 (IS PREWIRED)
 - HONEYWELL HOA1870-33 (IS PREWIRED)
 - OPTEK OPB830W11 (IS PREWIRED)
- 5) THE OPTO COUPLER LED PIN HAS 200 OHM TO 5V IN SERIES ON THE BOARD. THE 200 OHM CAN BE REMOVED IF DESIRED FOR RUNNING SENSORS THAT REQUIRE DIRECT ACCESS TO 5V. (OR USE ENCODER 5V POWER) THE COLLECTOR OF THE TRANSISTOR HAS A 10K PULLUP TO 5V.
- 6) ALL INPUTS WORK ON TTL LEVEL SIGNALS OR CAN BE USED AS ANALOG INPUTS

SEE NEXT PAGE FOR DIMENSIONAL INFO

COPYRIGHT ALLMOTION.COM

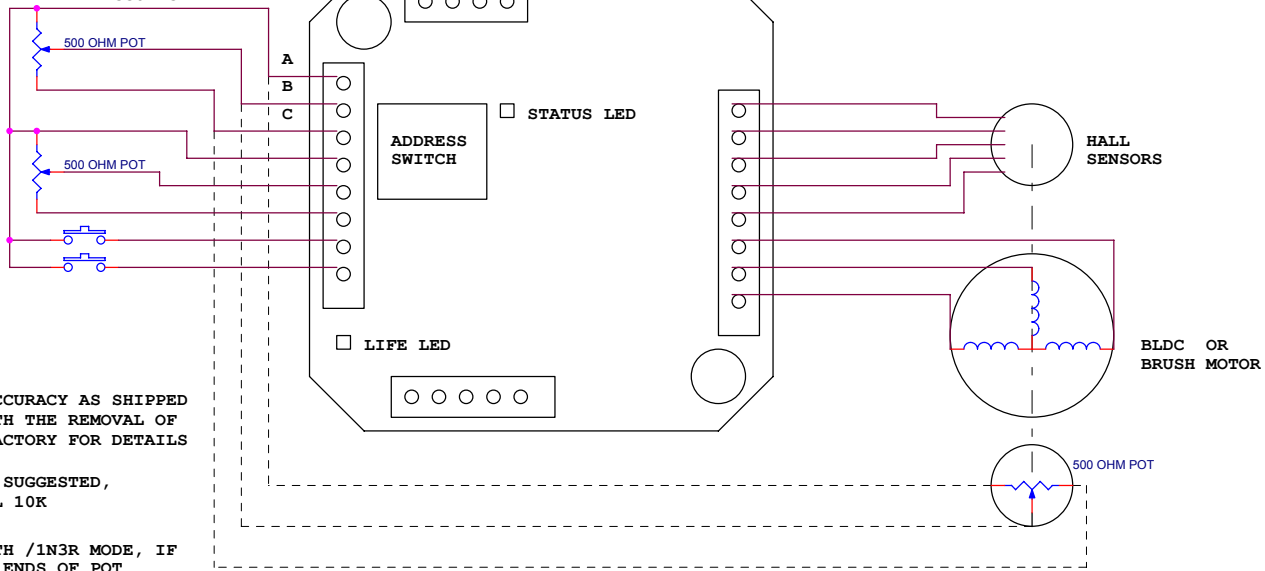
Title		
ALLMOTION.COM EZSV17WV WIRING DIAGRAM		
Size	Document Number	Rev
B		A11
Date:	Sunday, May 29, 2016	Sheet 4 of 5

FEEDBACK POT1 GROUND
 FEEDBACK POT1 WIPER
 FEEDBACK POT1 POWER

POSITION COMMAND POT2 GROUND
 POSITION COMMAND POT2 WIPER
 POSITION COMMAND POT2 POWER

SWITCH #1 CLOSURE TO GROUND INPUT
 SWITCH #2 CLOSURE TO GROUND INPUT

**SIMPLE CIRCUIT,
 7 BIT ACCURACY**

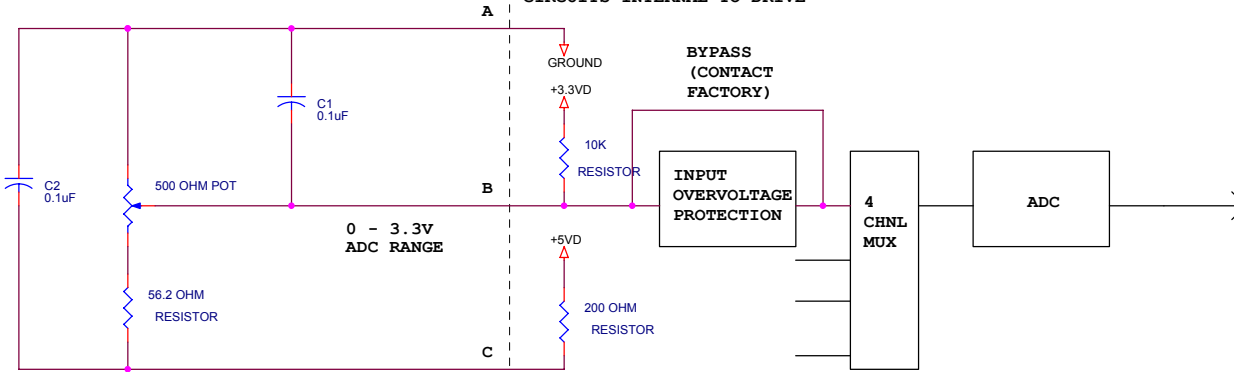


HALL A
 HALL B
 HALL C
 HALL SENSOR POWER
 HALL SENSOR GROUND
 PHASE A POWER DRIVER
 PHASE B POWER DRIVER
 PHASE C POWER DRIVER

NOTES:

- 1) ALL 4 INPUTS ARE ANALOG INPUTS
- 2) ADC's VALUES RANGE FROM 0-16368. THE ACCURACY AS SHIPPED IS 7 BIT BUT CAN BE IMPROVED TO >10BIT WITH THE REMOVAL OF THE INPUT PROTECTION CIRCUITRY, CONTACT FACTORY FOR DETAILS
- 3) POTS IN THE RANGE OF 500 OHM - 10K ARE SUGGESTED, LOWER VALUES ARE LESS AFFECTED BY INTERNAL 10K PULLUP. 500 OHM RECOMMENDED.
- 4) IF USING POT FOR POSITION FEED BACK WITH /1N3R MODE, IF MOTOR EXHIBITS POSITIVE FEEDBACK, SWITCH ENDS OF POT
- 5) 10K INTERNAL PULLUP WILL INTERFERE WITH LINEARITY OF POT VOLTAGE, AND MAY NEED TO BE REMOVED - CONTACT FACTORY.
- 6) INPUT OVERVOLTAGE PROTECTION CIRCUITRY MAY NEED TO BE REMOVED FOR >7BIT ACCURACY - CONTACT FACTORY.

CIRCUITS INTERNAL TO DRIVE



ENHANCED EXTERNAL CIRCUIT FOR > 10BIT ACCURACY

**WIRING DIAGRAM ANALOG INPUT OR
 POTENTIOMETER FEEDBACK**

Title		
ALLMOTION.COM EZSV17WV WIRING DIAGRAM		
Size	Document Number	Rev
B		A11
Date:	Sunday, May 29, 2016	Sheet 5 of 5

COPYRIGHT ALLMOTION.COM